

# ISDN S Interface Hybrid

0803-6200-03

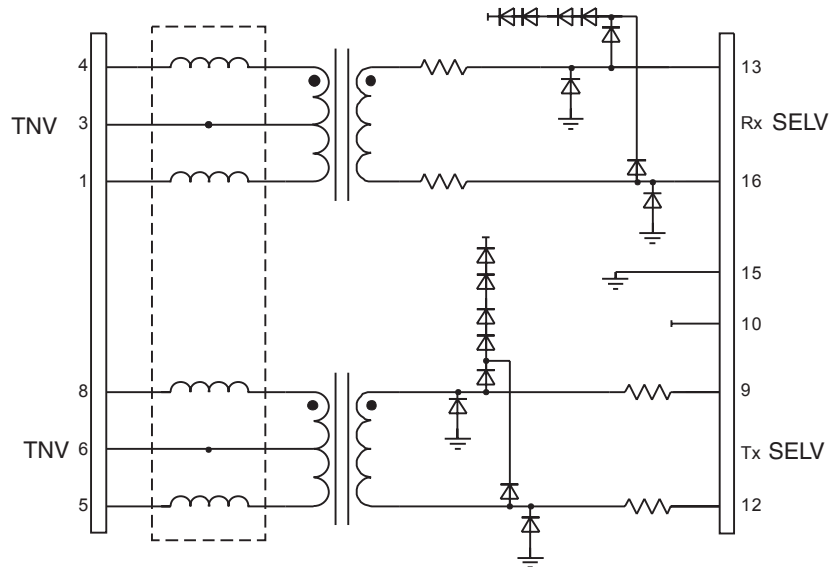


## ELECTRICAL SPECIFICATIONS @ 25°C

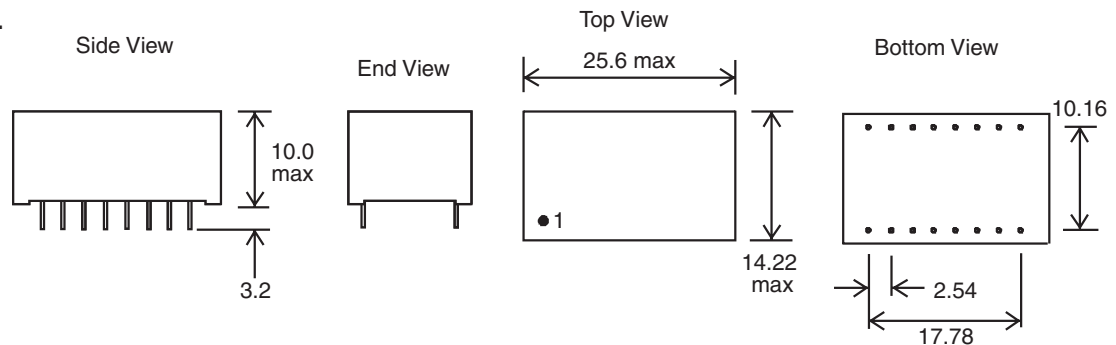
Turns Ratio +/-5%	Primary Inductance mH min	Leakage Inductance uH max	Primary DCR OHMS +/- 30%	Secondary DCR OHMS +/- 30%	Choke	
					Inductance per line mH nom	DCR per line OHMS
1CT:2	20	10	1.95	2.75	0.04	0.2

NOTES: ISOLATION PRI:SEC 1500VRMS  
 DESIGNED TO BE USED WITH INFINEON PEB2081, PEB2084, PEB2086, PSB2115, PSB2186, PEB8091 AND PEB8191.  
 PROVIDES ISOLATION OF SELV AND TNV3 CIRCUITS IN ACCORDANCE WITH IEC 60950, EN 60950, UL 60950, ACA TS001 AND AS/NZS 60950  
 END SYSTEM COMPLIANCE TO IEC 60950, EN 60950, UL 60950, ACA TS001 AND AS/NZS 60950 IS THE RESPONSIBILITY OF THE INSTALLER - APPROVAL PENDING.

## SCHEMATIC



## MECHANICAL



NOTES: NOT TO SCALE  
 TOLERANCE +/- 0.2 MM  
 ALL DIMENSIONS IN MM  
 PIN DIAMETER 0.75 MM MAX  
 DOT ON TOP OF SURFACE INDICATES PIN 1